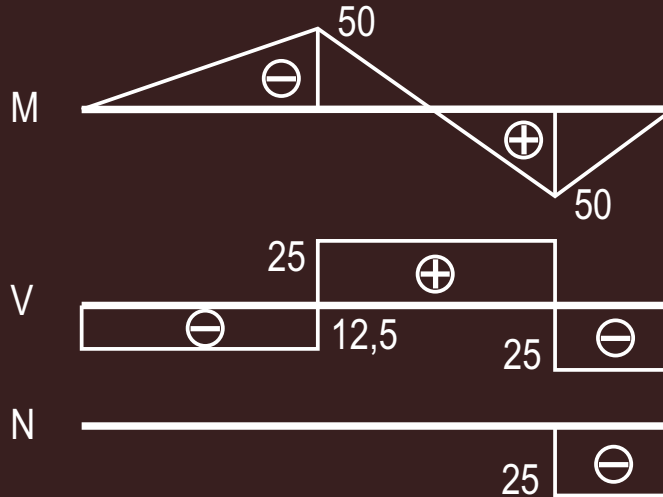
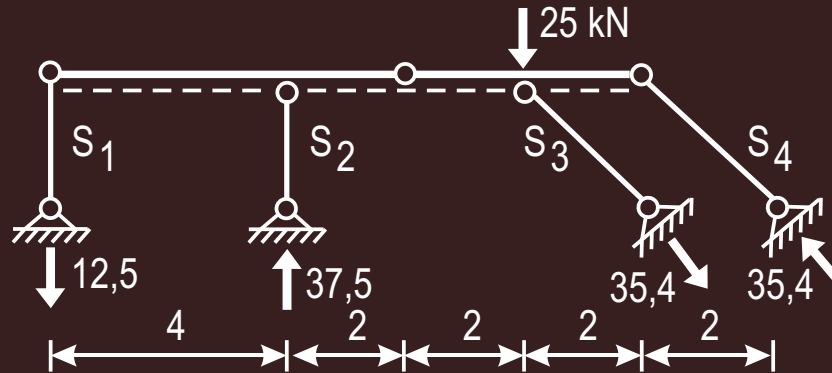


**Diethard Thieme**  
**Skripte zur Baumechanik**

**Übungen**  
**mit**  
**Lösungen**  
**BM 39**

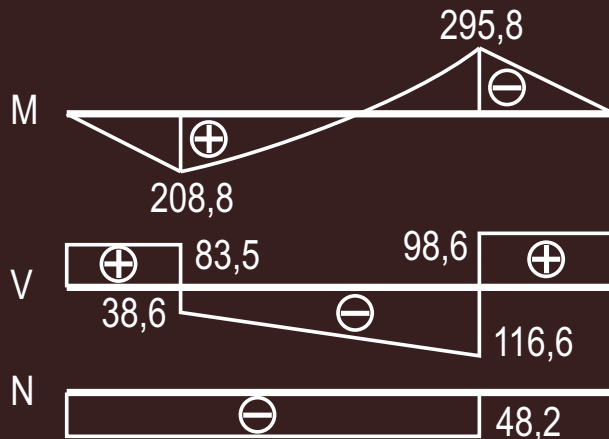
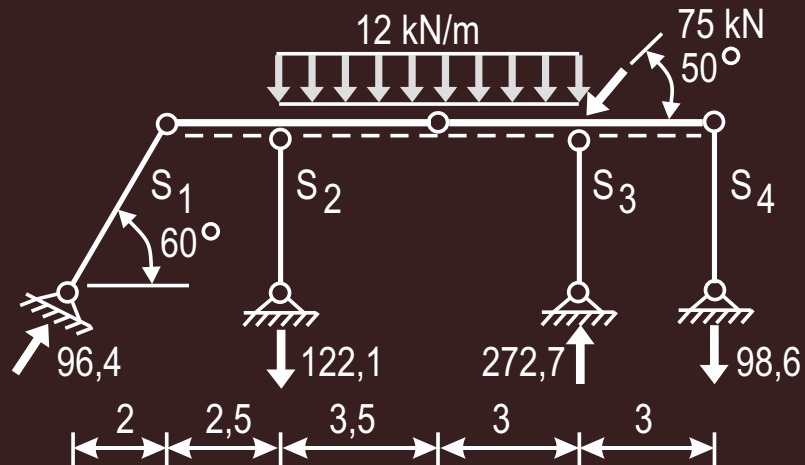


$$S_1 = 12,5$$

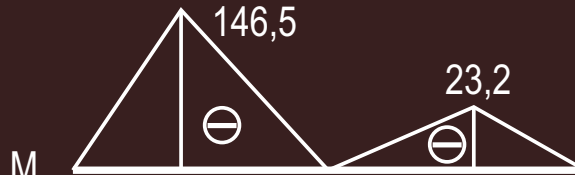
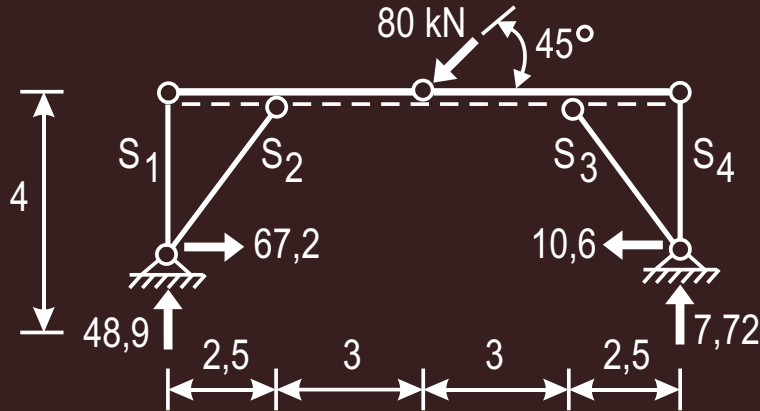
$$S_2 = -37,5$$

$$S_3 = 35,4$$

$$S_4 = -35,4$$



$$\begin{aligned}
 S_1 &= -96,4 \\
 S_2 &= 122,1 \\
 S_3 &= -272,7 \\
 S_4 &= 98,6
 \end{aligned}$$



$$\begin{aligned}
 S_1 &= 58,6 \\
 S_2 &= -126,8 \\
 S_3 &= -20 \\
 S_4 &= 9,3
 \end{aligned}$$

